

## Installation guide

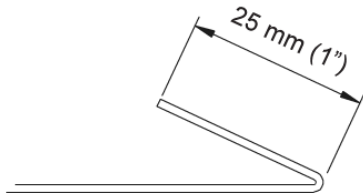
### SS/BKT09 double ratchet 9" bracket SS/BKT14 double ratchet 14" bracket



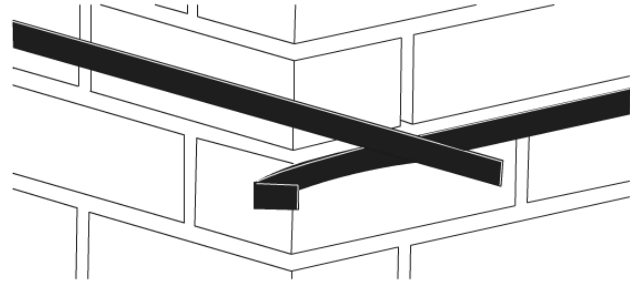
#### Included in each kits:

- 9" or 14" Chimney Bracket (2 for the "Double 9" kit)
- 16' Stack Strap (2 for the "Double 9" kit)
- Qty 2: V Bolts 1.75" to use if your mast is 1" to 1.25"
- Qty 2: V Bolts 2.5" to use if your mast is 1.5" to 2"

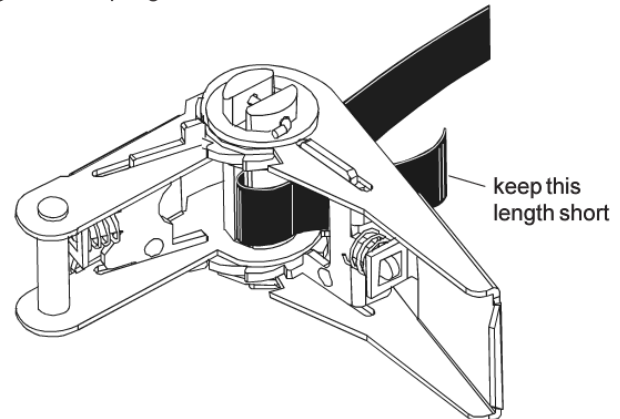
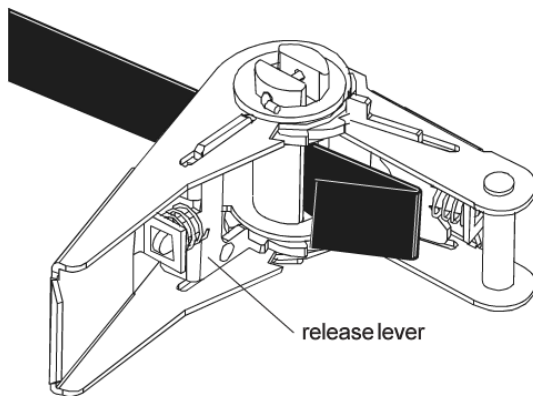
1. Fold back one end of strap as shown and pinch flat with pliers.



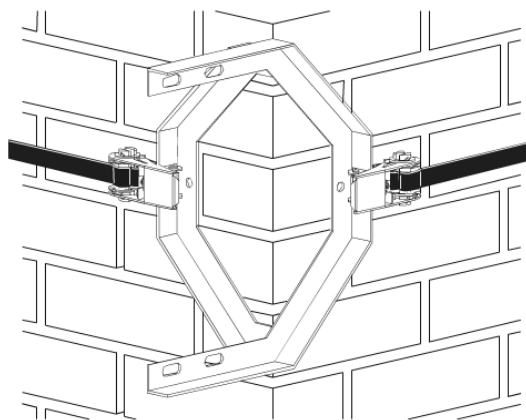
2. Pass strap around chimney and cut to size allowing a 10 cm (4") overlap on each end (this will be taken up when operating ratchets). To assist passing the strap around a larger chimney, pre-feed strap into a short section of 1.25" mast then using a 'fishing rod' action encircle chimney. Pull off masting to leave strap in position.



3. Feed folded end of strap through centre of first ratchet spindle as shown. Pull strap back so that folded end acts as a hook. Feed other end of strap through centre of second ratchet spindle and fold back through lever as shown. Operate this ratchet to tighten. Remove any slack on the strap with the first ratchet. Tighten strap by operating both ratchets alternately ensuring that strap stays horizontal around chimney. For final tightening, position ratchet handle in open position as shown and push with the palm of the hand rather than pulling from the closed position. Hand pressure is sufficient to tighten the ratchets. Do not use pliers or similar tools to tighten the ratchet and apply pressure by hand towards **not** away from the body. Fold levers flat when finished. If the strap needs to be loosened for re-positioning, the ratchets may be released by pulling back the spring loaded release levers in the handles.



#### SS/BKT09 & SS/BKT14



Fit a suitable aerial mast to the bracket using V bolts. It may be necessary to use a cranked mast if the chimney has a stepped top (avoid positioning the aerial over the top of an operating chimney as heat and gas may affect performance over time).

Maximum recommended length of aerial - 2 metres; maximum recommended mast length - 10ft (3 metres). For heavier installations use multiple products.

Do not install this product on a chimney which is in poor condition (loose or damaged, cracked or heavily weathered bricks). For stability, do not use the top three courses of chimney brickwork.

Further advice may be downloaded from:  
[www.blake-uk.com/downloads](http://www.blake-uk.com/downloads) on the following:

- reception problems
- fitting coaxial connectors
- distributing TV signals around the home
- general recommendations

**Safety.** Working at height – carry out work outdoors at height only if you are competent in the use of ladders and related access equipment. Always work safely within your own limitations, ensuring that all equipment used is appropriate, is in good condition and that the associated protective equipment is in use. It is recommended that the general public, employees and employers act upon the available advice for the 'working at safe heights' guidelines which can be found by visiting <http://www.hse.gov.uk/falls/regulations.htm> or by purchasing the 'Guidelines on Safe Operating Procedures for the Aerial & Satellite Industry' publication available from the CAI (<http://www.cai.org.uk/information>).